

No: M-02.2947 - 02

Dat/Nam.: 04.10.2017 / K. Srb

Cad Code: M_022947

Technical changes reserved

Änderungen vorbehalten

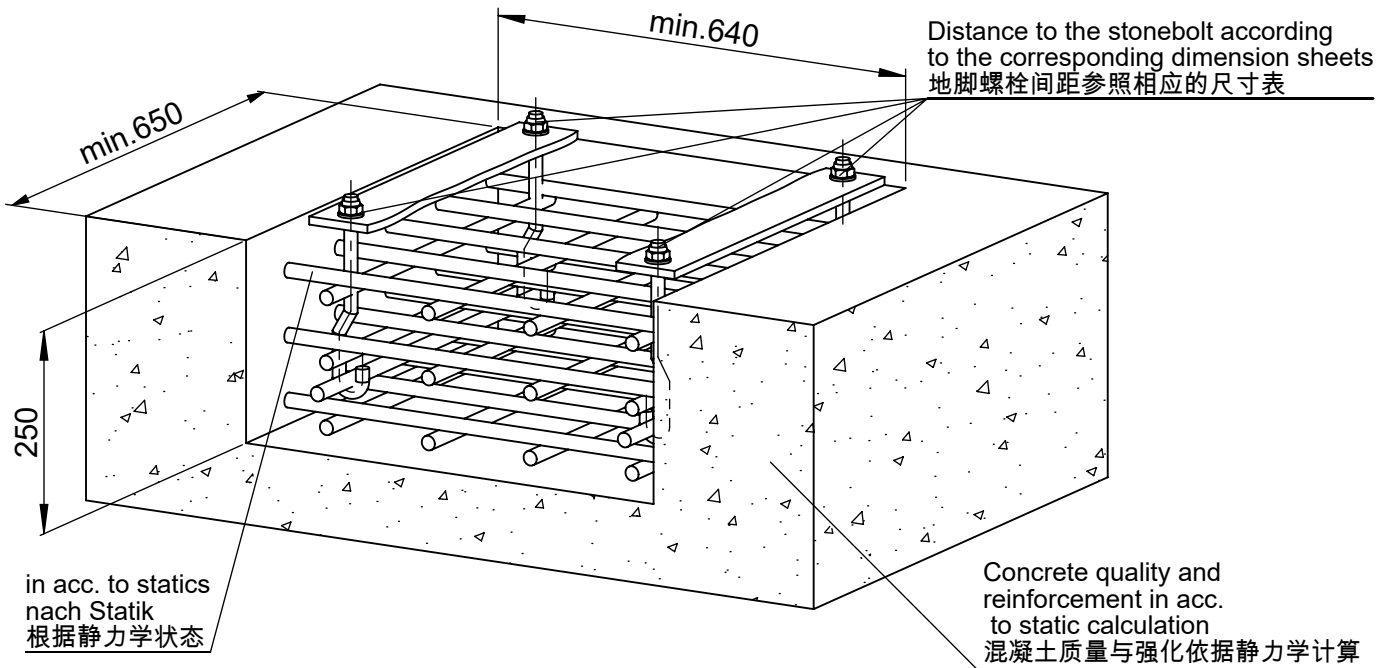
XFP DN100 - 200

Foundation drawing for WET WELL Installation

湿式安装基础图



Dimensions and adjusting of pedestal in acc. to Dim. sheet of Wet-well installed pumps
底座的尺寸及调整依据泵湿式安装尺寸图

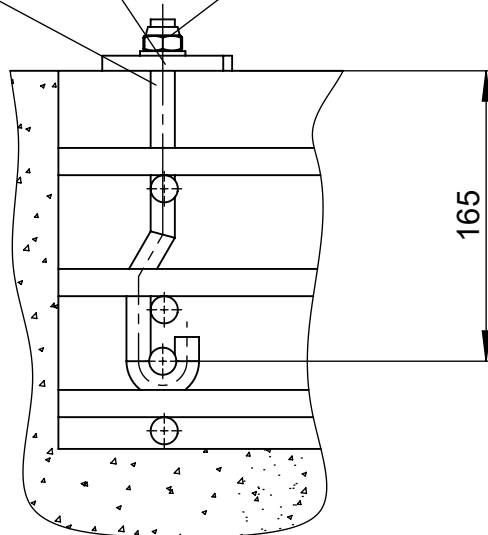


View of stonebolt anchorage
地脚螺栓锚固示意图

Stonebolt -s- DIN529, Shape B
地脚螺栓 DIN529 B型号

Pedestal
خفت

Hex. Nut M16 DIN934 with washer
六角螺母 M16 (DIN 934) 及垫片



[mm]
[inch]

XFP
100J-CB
100J-CH
105J-CB
150J-CH
150J-CB
150M-CB
151M-CB
151J-CB
155J-CB
200J-CB
200J-CH
200M-CH
201J-CB
205J-CB
205M-CB
206J-CB