

SULZER

Massblatt XFP 100E-VX Nassinstallation

Dimension sheet WET-WELL Installation

Dimensioni Installazione sommersa

Hoja de dimensiones instalación sumergida

Plan d'encombrement Installation noyee

No: AN-M.22.631 - 04

Drawn: 1/08/10 D.WheLan

Issue Date: 09/05/2013

Änderungen vorbehalten

Technical changes reserved

Con riserva di modifiche

Con reserva de modificaciones

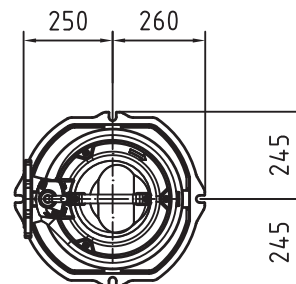
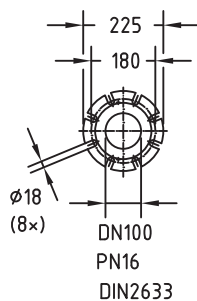
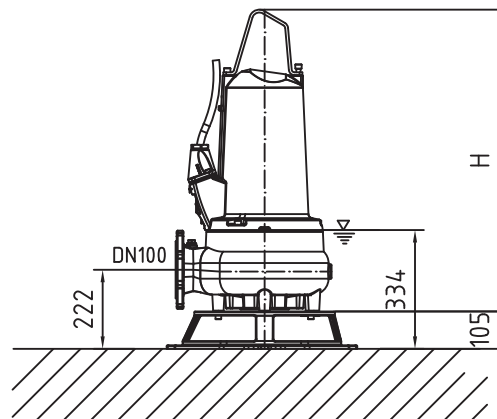
Sous réserve de modification

50 Hz**S.I.**

Typ Type Tipo	Gewicht Weight Poids Peso (kg)	H (mm)
PE 40/4	151	778
PE 60/4	161	778
PE 90/4	181	848

60 Hz

Typ Type Tipo	Gewicht Weight Poids Peso (kg)	H (mm)
PE 45/4	161	778
PE 56/4	151	778
PE 75/4	161	778
PE 90/4	191	848
PE 105/4	191	848



Gewicht: Beinhaltet Pumpe, Bodenstützgestell und Kabel (50Hz = 10m; 60Hz = 15m)

Weight: includes pump, skirtbase and cable (50Hz = 10m; 60Hz = 15m)

Peso: Incluye bomba, base soporte y cable (50Hz = 10m; 60Hz = 15m)

Peso: include: pompa, base d'appoggio e cavo (50Hz = 10m; 60Hz = 15m)

Poids: incluant la pompe, le trepied et le cable (50Hz = 10m; 60Hz = 15m)

Guss-Allgemeintoleranzen nach DIN1680 - GTB16

General tolerances for castings in acc. to DIN1680-GTB16

Tolleranze generali delle fusioni secondo DIN1680-GTB16

Tolerancias generales para la fundición ség. de DIN1680-GTB16

Tolérance générale de la fonderie selon DIN1680-GTB16

SULZER

Massblatt XFP 100E-VX Nassinstallation

No: AN-M.22.631 - 04

Dimension sheet WET-WELL Installation

Drawn: 1/08/10 D.WheLan

Dimensioni Installazione sommersa

Issue Date: 09/05/2013

Hoja de dimensiones instalación sumergida

Änderungen vorbehalten
Technical changes reserved
Con riserva di modifiche
Con reserva de modificaciones
Sous réserve de modification

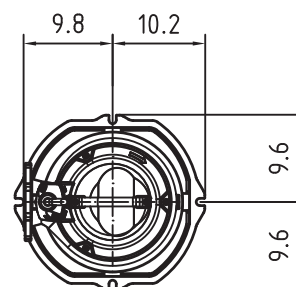
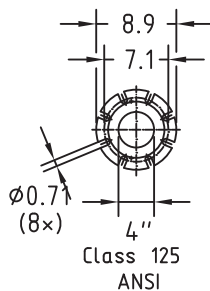
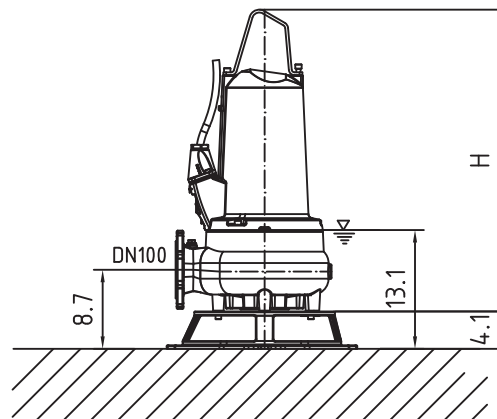
Plan d'encombrement Installation noyee

50 Hz**U.S.**

Typ Type Tipo	Gewicht Weight Poids Peso (lbs)	H (")
PE 40/4	333	30.6
PE 60/4	355	30.6
PE 90/4	400	33.4

60 Hz

Typ Type Tipo	Gewicht Weight Poids Peso (lbs)	H (")
PE 45/4	355	30.6
PE 56/4	333	30.6
PE 75/4	355	30.6
PE 90/4	422	33.4
PE 105/4	422	33.4



Gewicht: Beinhaltet Pumpe, Bodenstützgestell und Kabel (50Hz = 10m; 60Hz = 15m)

Weight: includes pump, skirtbase and cable (50Hz = 10m; 60Hz = 15m)

Peso: Incluye bomba, base soporte y cable (50Hz = 10m; 60Hz = 15m)

Peso: include: pompa, base d'appoggio e cavo (50Hz = 10m; 60Hz = 15m)

Poids: incluant la pompe, le trepied et le cable (50Hz = 10m; 60Hz = 15m)

Guss-Allgemeintoleranzen nach DIN1680 - GTB16

General tolerances for castings in acc. to DIN1680-GTB16

Tolleranze generali delle fusioni secondo DIN1680-GTB16

Tolerancias generales para la fundición según de DIN1680-GTB16

Tolérance générale de la fonderie selon DIN1680-GTB16