

50 Hz

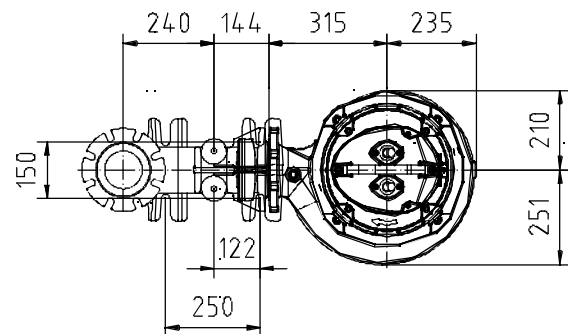
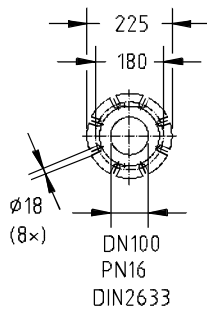
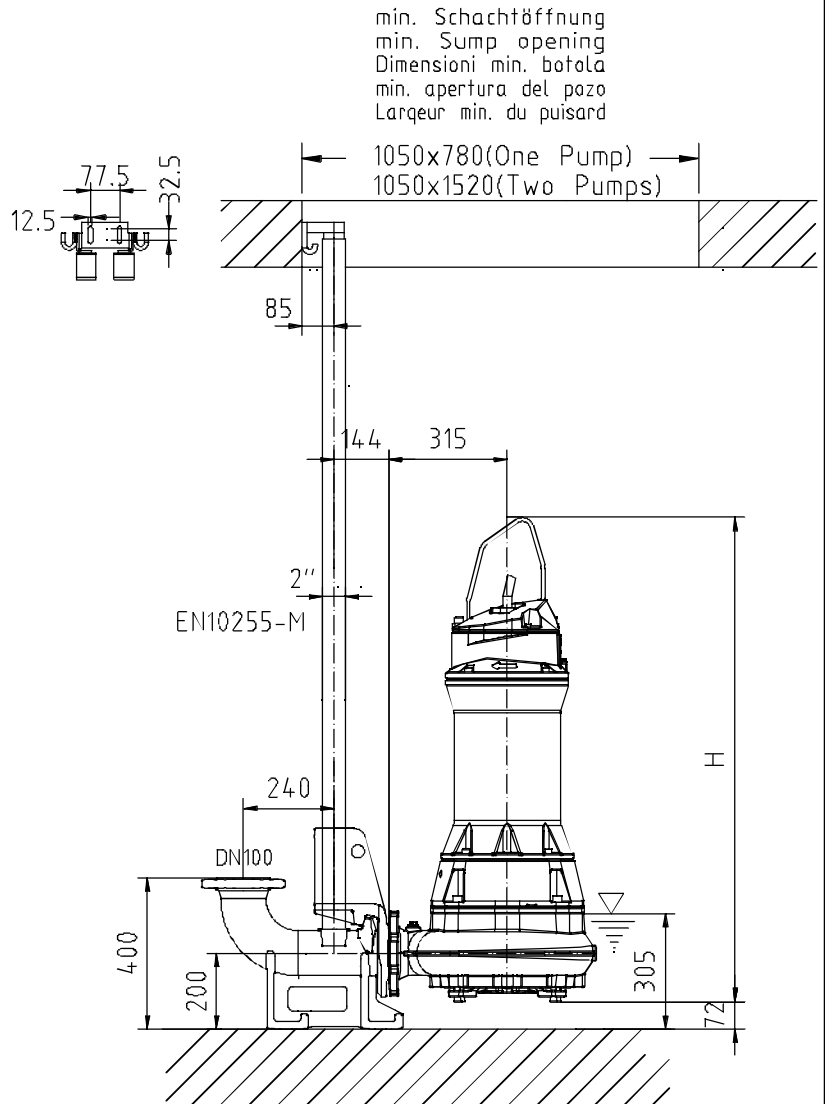
S.I.

Typ Type Tipo	Gewicht Weight Poids N.C.J. (kg)	Gewicht Weight Poids W.C.J. (kg)	Height H (mm)
PE 110/4	355	395	1282
PE 140/4	355	395	1282
PE 160/4	375	415	1282
PE 185/4	375	415	1282
PE 220/4	385	435	1322

60 Hz

Typ Type Tipo	Gewicht Weight Poids N.C.J. (kg)	Gewicht Weight Poids W.C.J. (kg)	Height H (mm)
PE 90/6	365	415	1282
PE 130/4	355	400	1282
PE 150/4	355	400	1282
PE 185/4	375	420	1282
PE 210/4	385	425	1282
PE 250/4	400	450	1322

N.C.J. = No Cooling Jacket
 W.C.J. = With Cooling Jacket



Gewicht: Beinhaltet Pumpe, Halterung (Füsstück) und Kabel (50 Hz = 10 m; 60 Hz = 15 m)
 Weight: includes pump, slider bracket and cable (50 Hz = 10 m; 60 Hz = 15 m)
 Peso: include pompa, pezzo intermedio a cavo (50 Hz = 10 m; 60 Hz = 15 m)
 Peso: Incluye bomba, soporte deslizante y cable (50 Hz = 10 m; 60 Hz = 15 m)
 Poids : incluant la pompe, le coulisseau et le câble (50 Hz = 10 m; 60 Hz = 15 m)

Guss-Allgemeintoleranzen nach DIN1680 - GTB16
 General tolerances for castings in acc. to DIN1680-GTB16
 Tolleranze generali delle fusioni secondo DIN1680-GTB16
 Tolerancias generales para la fundición seg. de DIN1680-GTB16
 Tolérance générale de la fonderie selon DIN1680-GTB16

SULZER

Massblatt XFP 100G-CB1 Nassinstallation

Dimension sheet Twin Guide Rail Installation

Dimensioni Installazione sommersa

Hoja de dimensiones instalación sumergida

Plan d'encombrement Installation noyee

No: AN-M.22.590 - 05

Drawn: 05/08/10 D.Whelan

Issue Date: 09/05/2013

Änderungen vorbehalten

Technical changes reserved

Con riserva di modifiche

Con reserva de modificaciones

Sous réserve de modification

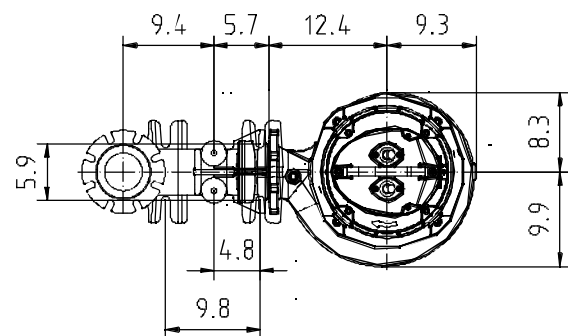
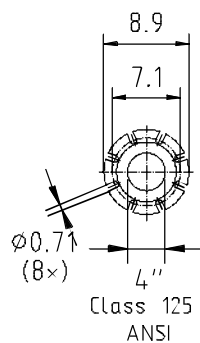
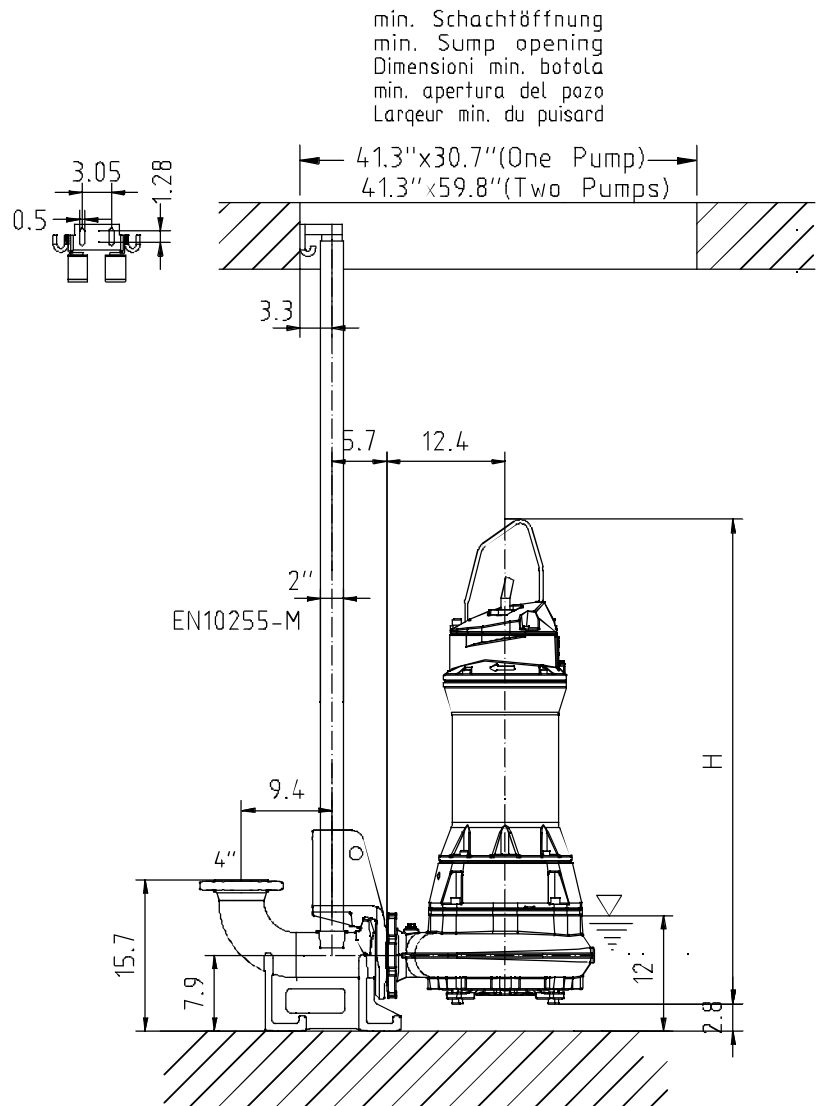
50 Hz**U.S.**

Typ Type Tipo	Gewicht Weight Poids N.C.J. (lbs)	Gewicht Weight Poids W.C.J. (lbs)	Height H (")
PE 110/4	783	805	50.5"
PE 140/4	783	805	50.5"
PE 160/4	827	915	50.5"
PE 185/4	827	915	50.5"
PE 220/4	849	960	52.0"

60 Hz

Typ Type Tipo	Gewicht Weight Poids N.C.J. (lbs)	Gewicht Weight Poids W.C.J. (lbs)	Height H (")
PE 90/6	805	915	50.5"
PE 130/4	783	882	50.5"
PE 150/4	783	882	50.5"
PE 185/4	827	926	50.5"
PE 210/4	849	937	50.5"
PE 250/4	882	992	52.0"

N.C.J. = No Cooling Jacket
W.C.J. = With Cooling Jacket



Gewicht: Beinhaltet Pumpe, Halterung (Füsstück) und Kabel (50 Hz = 10 m; 60 Hz = 15 m)
Weight: includes pump, slider bracket and cable (50 Hz = 10 m; 60 Hz = 15 m)
Peso: include pompa, pezzo intermedio a cavo (50 Hz = 10 m; 60 Hz = 15 m)
Peso: Incluye bomba, soporte deslizante y cable (50 Hz = 10 m; 60 Hz = 15 m)
Poids: incluant la pompe, le roulisseau et le câble (50 Hz = 10 m; 60 Hz = 15 m)

Guss-Allgemeintoleranzen nach DIN1680 - GTB16
General tolerances for castings in acc. to DIN1680-GTB16
Tolleranze generali delle fusioni secondo DIN1680-GTB16
Tolerancias generales para la fundición seg. de DIN1680-GTB16
Tolérance générale de la fonderie selon DIN1680-GTB16