

SULZER

Massblatt XFP 150E-CB1 Nassinstallation

No: AN-M.22.571 -05

Dimension sheet WET-WELL Installation

Drawn: 23.09.09/D.Whelan

Dimensioni Installazione sommersa

Issue Date: 09/05/2013

Hoja de dimensiones instalación sumergida

Änderungen vorbehalten
Technical changes reserved
Con riserva di modifiche
Con reserva de modificaciones
Sous réserve de modification

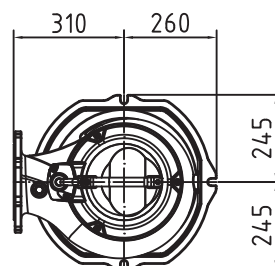
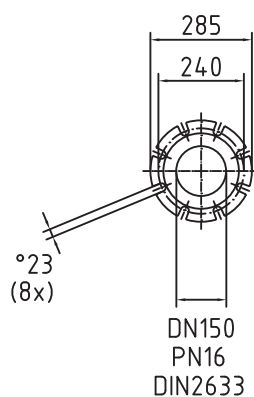
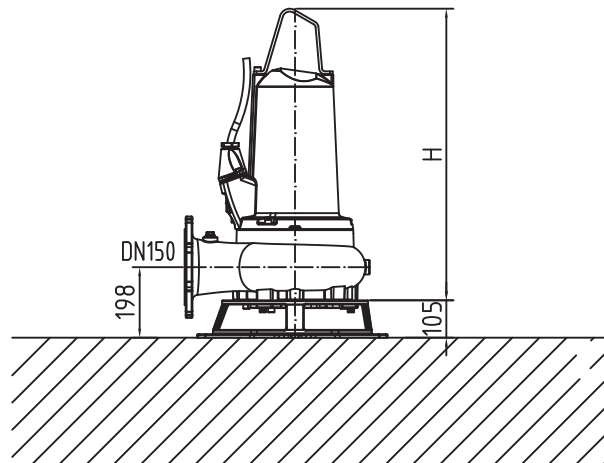
Plan d'encombrement Installation noyée

50Hz**S.I.**

Typ Type Tipo	Gewicht Weight Poids Peso (kg)	H (mm)
PE 40/4	181	749
PE 30/6	181	749
PE 60/4	181	749
PE 90/4	201	819

60Hz

Typ Type Tipo	Gewicht Weight Poids Peso (kg)	H (mm)
PE 35/6	181	749
PE 45/4	181	749
PE 56/4	191	749
PE 75/4	181	749
PE 90/4	211	749
PE 105/4	220	819



Gewicht: Beinhaltet Pumpe, Bodenstützgestell und Kabel (50Hz = 10m; 60Hz = 15m)
 Weight: includes pump, skirtbase and cable (50Hz = 10m; 60Hz = 15m)
 Peso: Incluye bomba, base soporte y cable (50Hz = 10m; 60Hz = 15m)
 Peso: include: pompa, base d'appoggio e cavo (50Hz = 10m; 60Hz = 15m)
 Poids: incluant la pompe, le trepied et le câble (50Hz = 10m; 60Hz = 15m)

Guss-Allgemeintoleranzen nach DIN1680 - GTB16

General tolerances for castings in acc. to DIN1680-GTB16

Tolleranze generali delle fusioni secondo DIN1680-GTB16

Tolerancias generales para la fundición ség. de DIN1680-GTB16

Tolérance générale de la fonderie selon DIN1680-GTB16

SULZER

Massblatt XFP 150E-CB1 Nassinstallation

No: AN-M.22.571 -05

Dimension sheet WET-WELL Installation

Drawn: 23.09.09/D.Whelan

Dimensioni Installazione sommersa

Issue Date: 09/05/2013

Hoja de dimensiones instalación sumergida

Änderungen vorbehalten
Technical changes reserved
Con riserva di modifiche
Con reserva de modificaciones
Sous réserve de modification

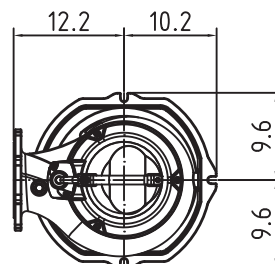
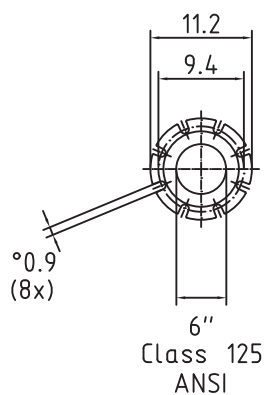
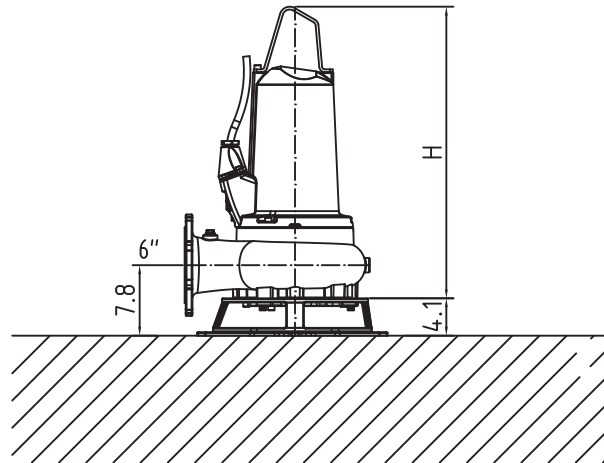
Plan d'encombrement Installation noyee

50Hz**U.S.**

Typ Type Tipo	Gewicht Weight Poids Peso (lbs)	H (")
PE 40/4	400	29.5
PE 30/6	400	29.5
PE 60/4	400	29.5
PE 90/4	444	32.2

60Hz

Typ Type Tipo	Gewicht Weight Poids Peso (lbs)	H (")
PE 35/6	400	29.5
PE 45/4	400	29.5
PE 56/4	422	29.5
PE 75/4	400	29.5
PE 90/4	466	29.5
PE 105/4	485	32.2



Gewicht: Beinhaltet Pumpe, Bodenstützgestell und Kabel (50Hz = 10m; 60Hz = 15m)
 Weight: includes pump, skirtbase and cable (50Hz = 10m; 60Hz = 15m)
 Peso: Incluye bomba, base soporte y cable (50Hz = 10m; 60Hz = 15m)
 Peso: include: pompa, base d'appoggio e cavo (50Hz = 10m; 60Hz = 15m)
 Poids: incluant la pompe, le trepied et le câble (50Hz = 10m; 60Hz = 15m)

Guss-Allgemeintoleranzen nach DIN1680 - GTB16

General tolerances for castings in acc. to DIN1680-GTB16

Tolleranze generali delle fusioni secondo DIN1680-GTB16

Tolerancias generales para la fundición ség. de DIN1680-GTB16

Tolérance générale de la fonderie selon DIN1680-GTB16