

SULZER

Massblatt XFP 81C-CB Nassinstallation

Dimension sheet WET-WELL Installation

Dimensioni Installazione sommersa

Hoja de dimensiones instalación sumergida

Plan d'encombrement Installation noyee

No: AN-M.22.655 -02

Drawn: 14.12.10 / D.Wheelan

Issue Date: 09/05/2013

Anderungen vorbehalten

Technical changes reserved

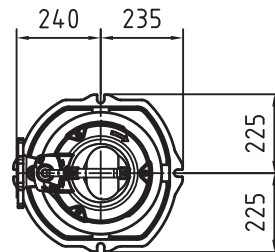
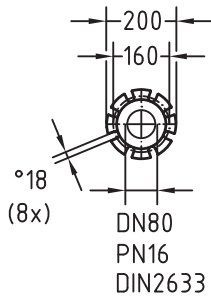
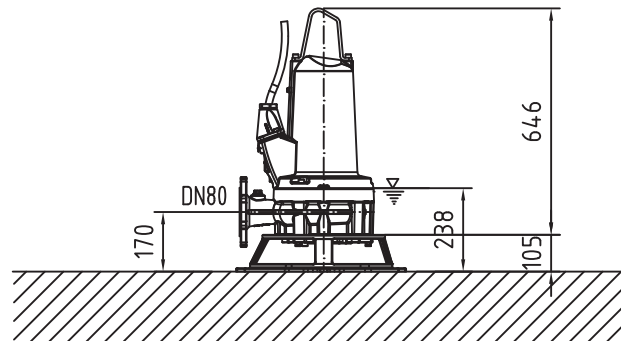
Con riserva di modifiche

Con reserva de modificaciones

Sous réserve de modification

50 Hz**S.I.**

Typ Type Tipo	Gewicht Weight Poids Peso (kg)
PE 40/2	130



Gewicht: Beinhaltet Pumpe, Bodenstützgestell und Kabel (50Hz = 10m; 60Hz = 15m)
 Weight: includes pump, skirtbase and cable (50Hz = 10m; 60Hz = 15m)
 Peso: Incluye bomba, base soporte y cable (50Hz = 10m; 60Hz = 15m)
 Peso: include: pompa, base d'appoggio e cavo (50Hz = 10m; 60Hz = 15m)
 Poids: incluant la pompe, le trepied et le câble (50Hz = 10m; 60Hz = 15m)

Guss-Allgemeintoleranzen nach DIN1680 - GTB16
 General tolerances for castings in acc. to DIN1680-GTB16
 Tolleranze generali delle fusioni secondo DIN1680-GTB16
 Tolerancias generales para la fundición seg. de DIN1680-GTB16
 Tolérance générale de la fonderie selon DIN1680-GTB16

SULZER

Massblatt XFP 81C-CB Nassinstallation

Dimension sheet WET-WELL Installation

Dimensioni Installazione sommersa

Hoja de dimensiones instalación sumergida

Plan d'encombrement Installation noyee

No: AN-M.22.655 -02

Drawn: 14.12.10 / D.Wheelan

Issue Date: 09/05/2013

Anderungen vorbehalten

Technical changes reserved

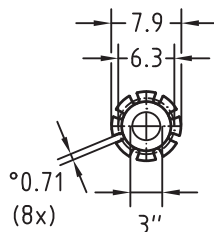
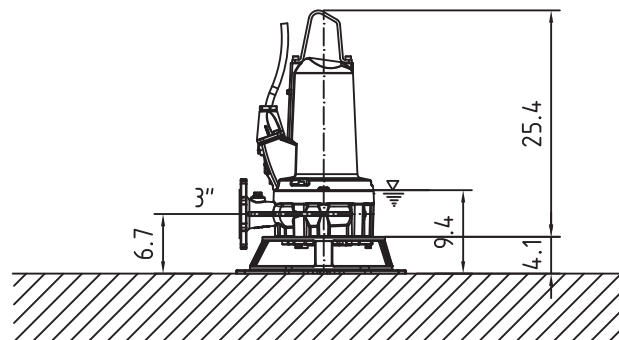
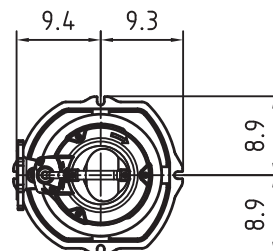
Con riserva di modifiche

Con reserva de modificaciones

Sous réserve de modification

50 Hz**U.S.**

Typ Type Tipo	Gewicht Weight Poids Peso (lbs)
PE 40/2	287

Class 125
ANSI

Gewicht: Beinhaltet Pumpe, Bodenstutzgestell und Kabel (50Hz = 10m; 60Hz = 15m)
 Weight: includes pump, skirtbase and cable (50Hz = 10m; 60Hz = 15m)
 Peso: Incluye bomba, base soporte y cable (50Hz = 10m; 60Hz = 15m)
 Peso: include: pompa, base d'appoggio e cavo (50Hz = 10m; 60Hz = 15m)
 Poids: incluant la pompe, le trepied et le câble (50Hz = 10m; 60Hz = 15m)

Guss-Allgemeintoleranzen nach DIN1680 - GTB16
 General tolerances for castings in acc. to DIN1680-GTB16
 Tolleranze generali delle fusioni secondo DIN1680-GTB16
 Tolerancias generales para la fundición seg. de DIN1680-GTB16
 Tolérance générale de la fonderie selon DIN1680-GTB16