

SULZER

Massblatt XFP 200G-CB1 Trockeninstallation
 Dimension sheet DRY-WELL Installation
 Dimensioni Installazione a secco
 Hoja de dimensiones instalación en seco
 Plan d'encombrement Installation a sec

No: AN-M.22.603 - 05 | 2
 Drawn: 05/08/10 D.Whelan
 Issue Date: 02/12/2021
 Änderungen vorbehalten
 Technical changes reserved
 Con riserva di modifiche
 Con reserva de modificaciones
 Sous réserve de modification

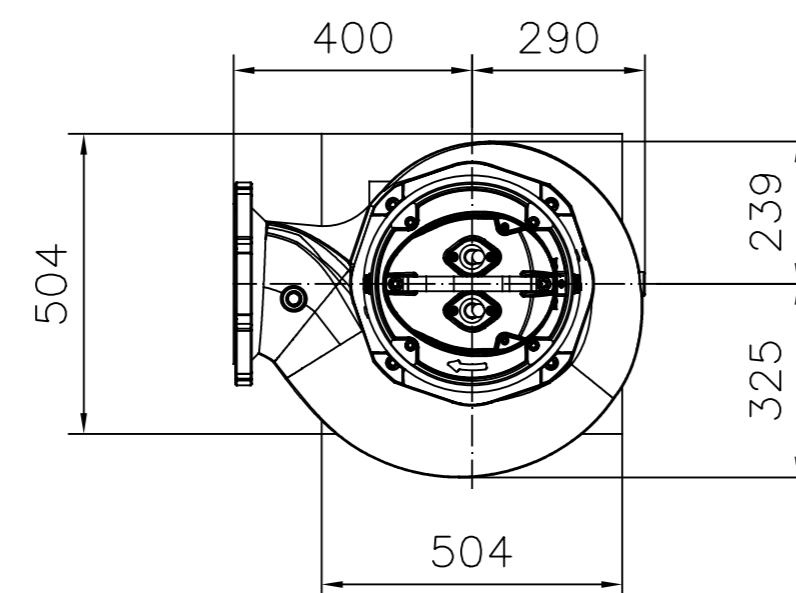
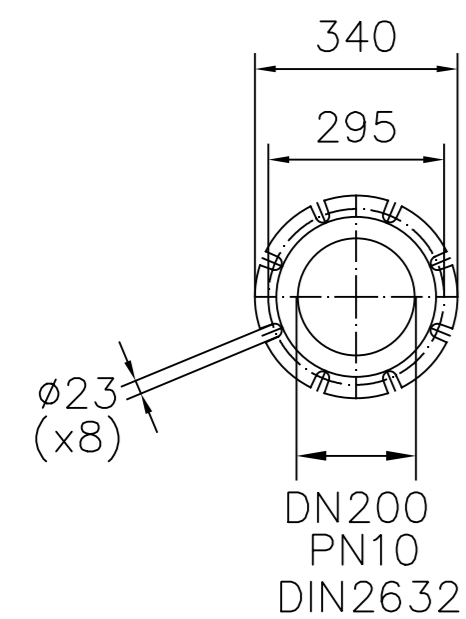
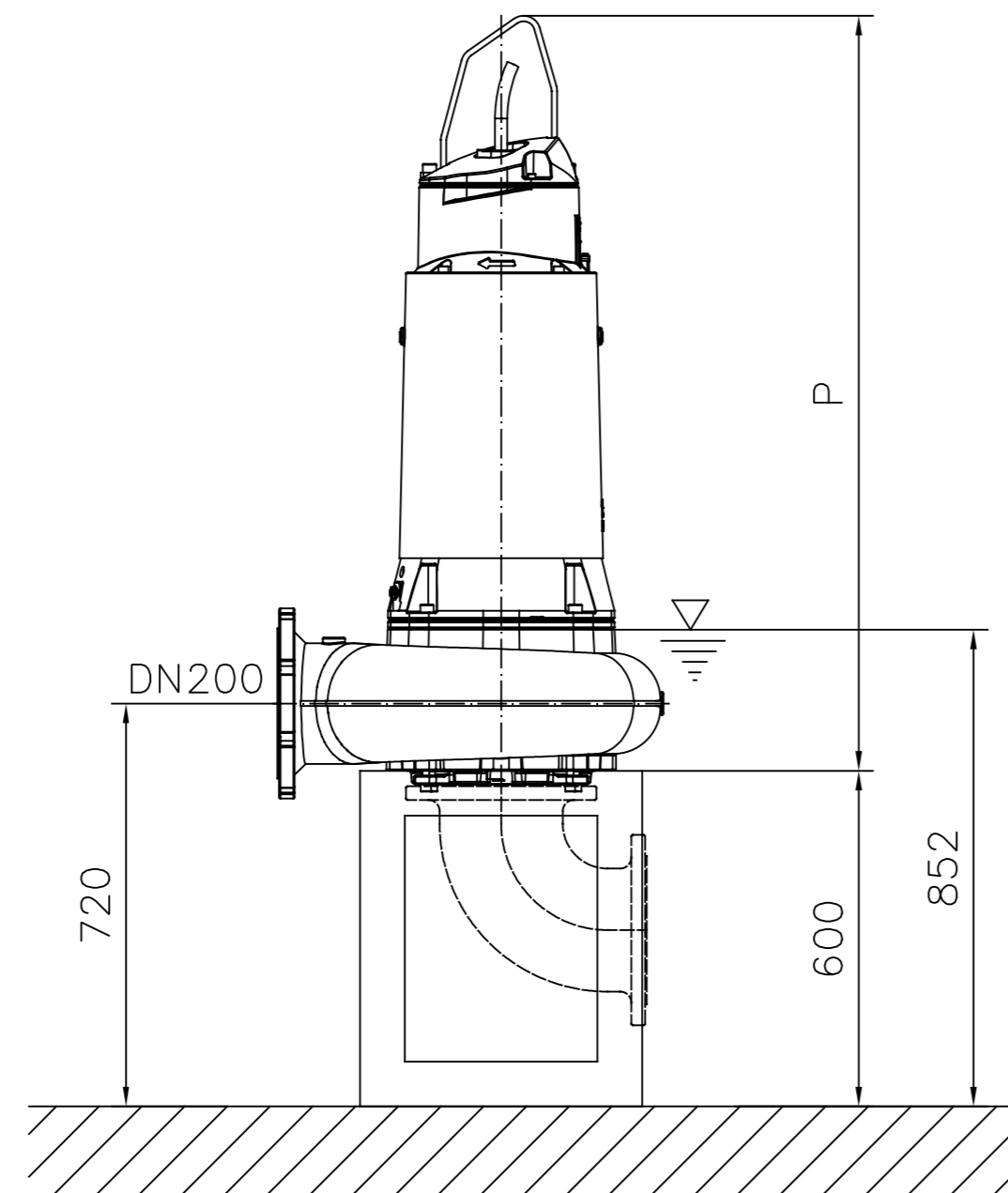
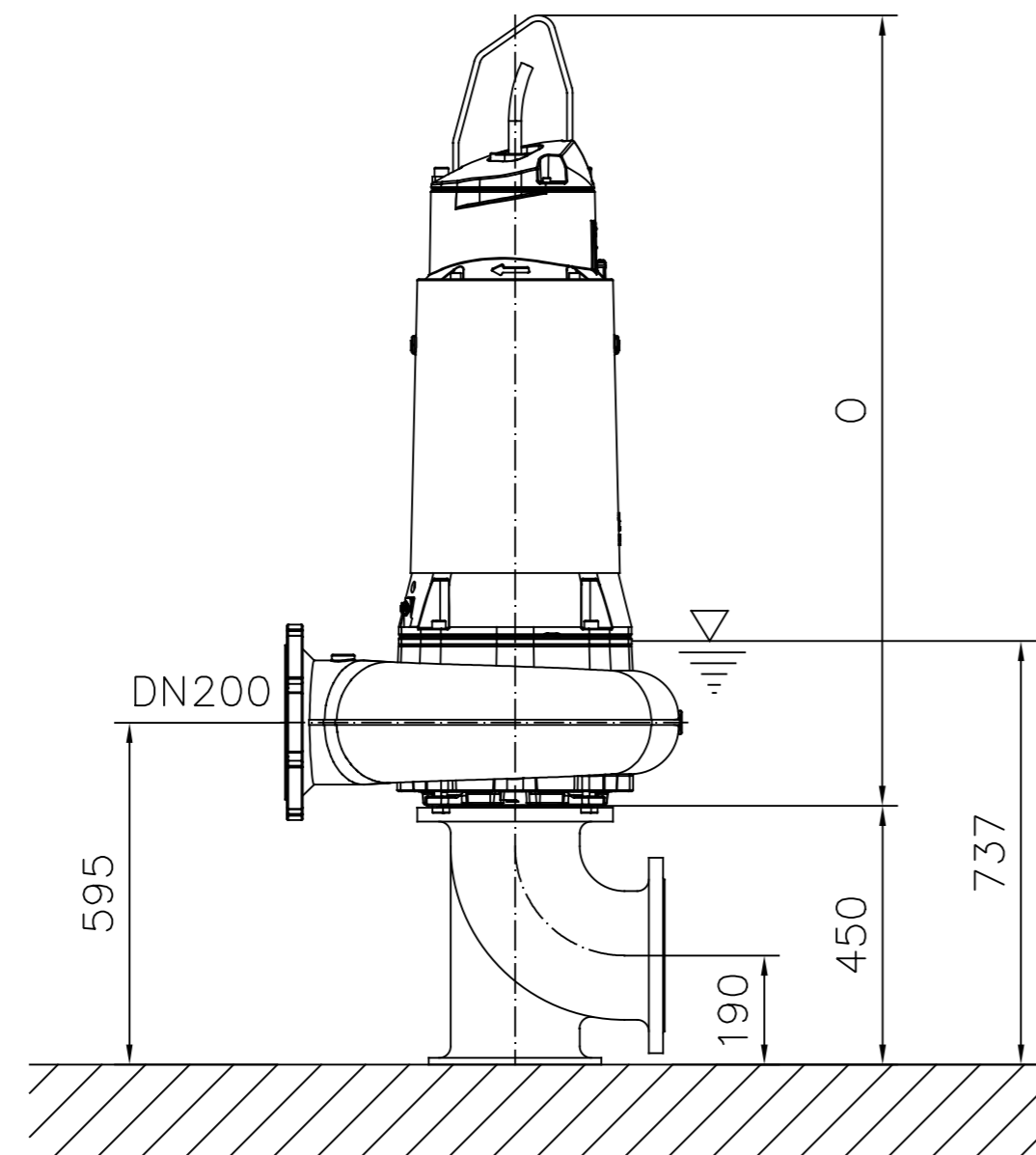
50 Hz

Typ Type Tipo	Gewicht Weight Poids N.C.J. (kg)	Gewicht Weight Poids W.C.J. (kg)	O (mm)	P (mm)
PE 90/6	380	430	1374	1349
PE 110/4	380	420	1374	1349
PE 140/4	380	420	1374	1349
PE 160/4	400	450	1374	1349
PE 185/4	400	450	1374	1349
PE 220/4	410	470	1414	1389

60 Hz

Typ Type Tipo	Gewicht Weight Poids N.C.J. (kg)	Gewicht Weight Poids W.C.J. (kg)	O (mm)	P (mm)
PE 90/6	390	430	1374	1349
PE 110/6	390	430	1374	1349
PE 130/6	390	430	1374	1349

N.C.J. = No Cooling Jacket
 W.C.J. = With Cooling Jacket

**S.I.****SULZER**

Massblatt XFP 200G-CB1 Trockeninstallation
 Dimension sheet DRY-WELL Installation
 Dimensioni Installazione a secco
 Hoja de dimensiones instalación en seco
 Plan d'encombrement Installation a sec

No: AN-M.22.603 - 05 | 2
 Drawn: 05/08/10 D.Whelan
 Issue Date: 02/12/2021
 Änderungen vorbehalten
 Technical changes reserved
 Con riserva di modifiche
 Con reserva de modificaciones
 Sous réserve de modification

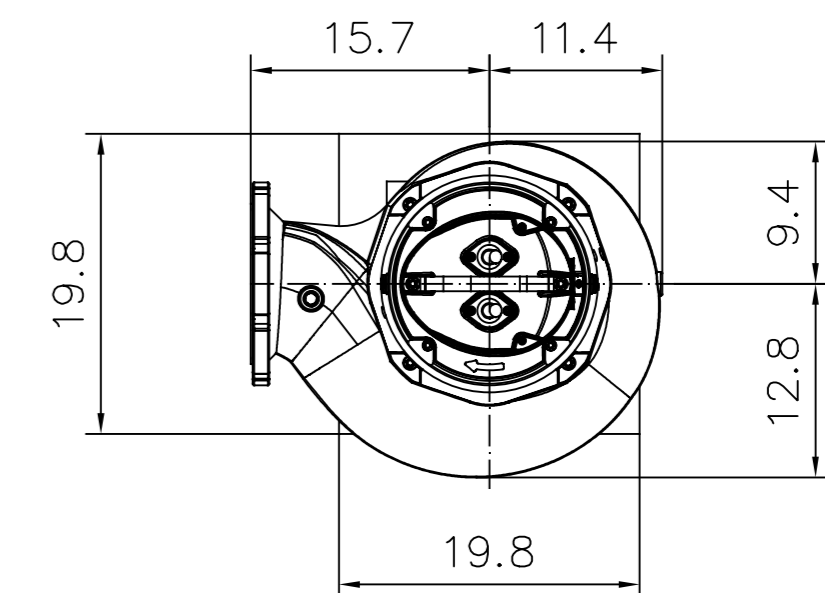
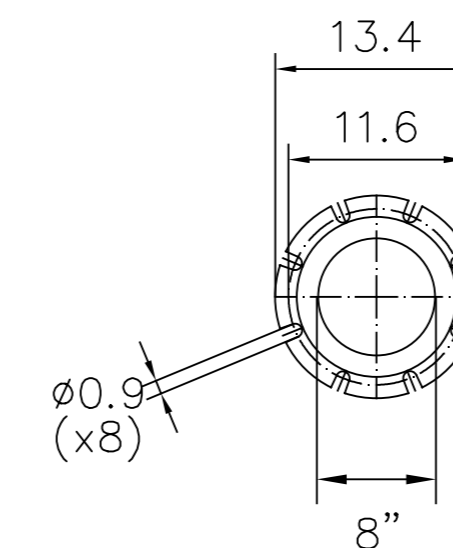
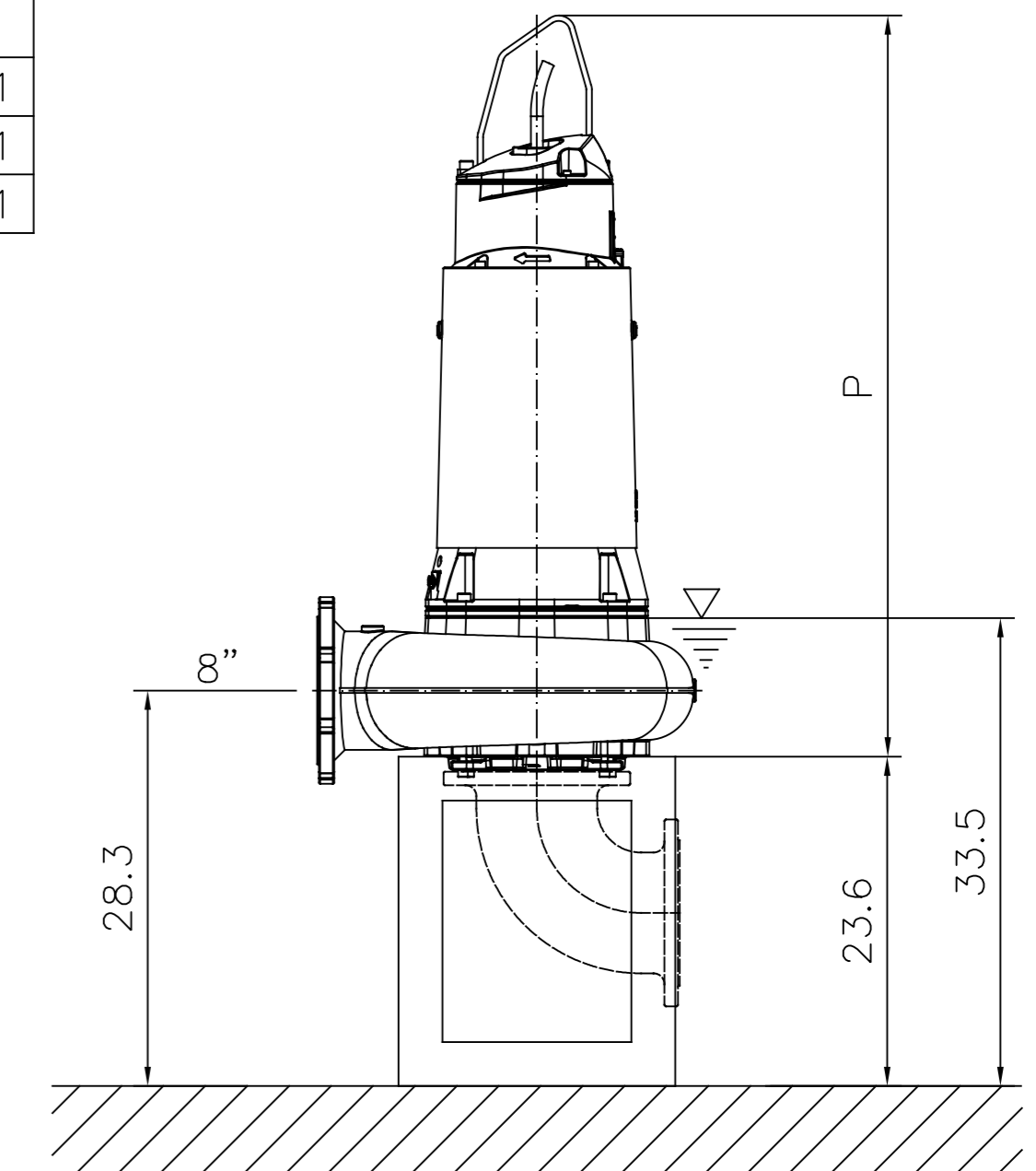
50 Hz

Typ Type Tipo	Gewicht Weight Poids N.C.J. (lbs)	Gewicht Weight Poids W.C.J. (lbs)	O (")	P (")
PE 90/6	836	946	54.1	53.1
PE 110/4	836	924	54.1	53.1
PE 140/4	836	924	54.1	53.1
PE 160/4	880	990	54.1	53.1
PE 185/4	880	990	54.1	53.1
PE 220/4	902	1034	55.7	54.7

60 Hz

Typ Type Tipo	Gewicht Weight Poids N.C.J. (lbs)	Gewicht Weight Poids W.C.J. (lbs)	O (")	P (")
PE 90/6	860	946	54.1	53.1
PE 110/6	860	946	54.1	53.1
PE 130/6	860	946	54.1	53.1

N.C.J. = No Cooling Jacket
 W.C.J. = With Cooling Jacket

**U.S.**

Gewicht: Beinhaltet Pumpe und Kabel (50 Hz = 10 m; 60 Hz = 15 m)
 Weight: includes pump and cable (50 Hz = 10 m; 60 Hz = 15 m)
 Peso: include pompa e cavo (50 Hz = 10 m; 60 Hz = 15 m)
 Peso: Incluye bomba y cable (50 Hz = 10 m; 60 Hz = 15 m)
 Poids : incluant la pompe et le câble (50 Hz = 10 m; 60 Hz = 15 m)

Guss-Allgemeintoleranzen nach DIN1680 - GTB16
 General tolerances for castings in acc. to DIN1680-GTB16
 Tolleranze generali delle fusioni secondo DIN1680-GTB16
 Tolerancias generales para la fundición seg. de DIN1680-GTB16
 Tolérance générale de la fonderie selon DIN1680-GTB16

Gewicht: Beinhaltet Pumpe und Kabel (50 Hz = 10 m; 60 Hz = 15 m)
 Weight: includes pump and cable (50 Hz = 10 m; 60 Hz = 15 m)
 Peso: include pompa e cavo (50 Hz = 10 m; 60 Hz = 15 m)
 Peso: Incluye bomba y cable (50 Hz = 10 m; 60 Hz = 15 m)
 Poids : incluant la pompe et le câble (50 Hz = 10 m; 60 Hz = 15 m)

Guss-Allgemeintoleranzen nach DIN1680 - GTB16
 General tolerances for castings in acc. to DIN1680-GTB16
 Tolleranze generali delle fusioni secondo DIN1680-GTB16
 Tolerancias generales para la fundición seg. de DIN1680-GTB16
 Tolérance générale de la fonderie selon DIN1680-GTB16